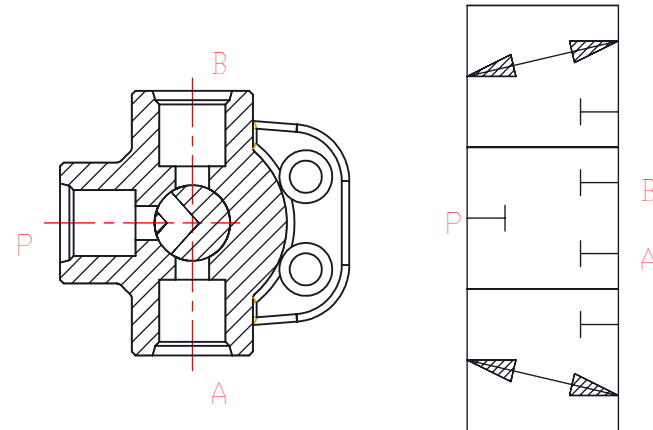


Spool type 2



Spool type 1

4				General tolerance	Designer	Kent	Date		Material		Valve type		
3				Dimension	Drawer	Kent	Date		Machining		Description		
2				1-5	Collator	Ray	Date		Finish		Drawing NO.		
1				5-20					Revision			Unit	mm
Item	Description of change	Name	Date	20-60	油力油壓工業股份有限公司 YOULI HYDRAULIC INDUSTRIAL CO., LTD.				Remark	Scale			
				60-250									
				250-1000									